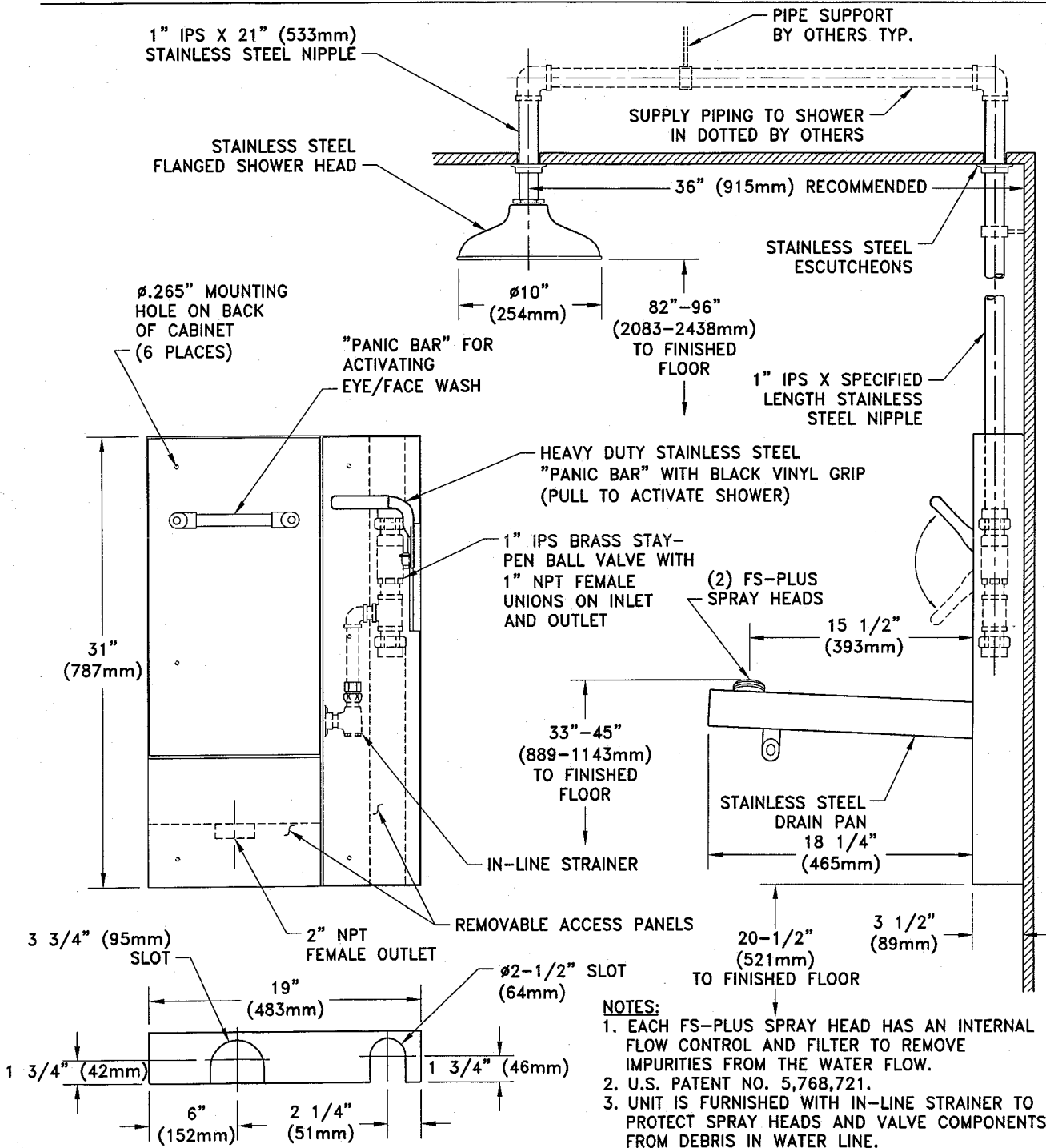


# GUARDIAN EQUIPMENT

660 North Union Street  
Chicago, IL 60610  
Phone: 312/733-2626  
Fax: 312/733-4684  
gesafety.com

GBF2153

BARRIER-FREE SAFETY STATION WITH DRAIN PAN, SURFACE MOUNTED



UNITS (EXCEPT THOSE WITH SELF-CLOSING VALVES) COMPLY WITH THE REQUIREMENTS OF ANSI Z358.1. TEST ALL EMERGENCY EQUIPMENT AT LEAST WEEKLY.

Drawing Number: G504-530

Approved: \_\_\_\_\_

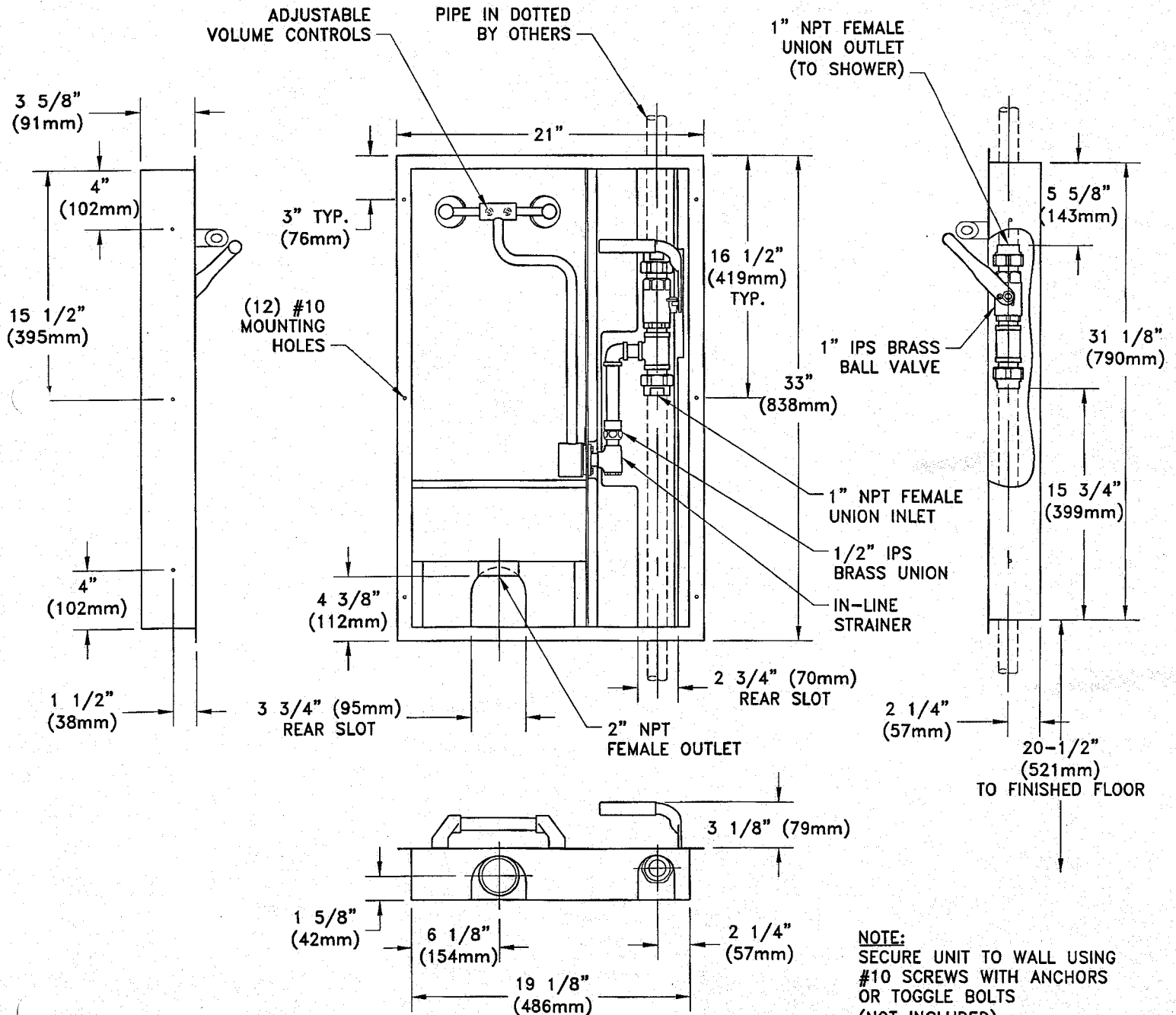
Revision Number: 071906-EJM

# GUARDIAN EQUIPMENT

660 North Union Street  
Chicago, IL 60610  
Phone: 312/733-2626  
Fax: 312/733-4684  
gesafety.com

## GBF2150 SERIES DETAIL OF SHOWER VALVE AND EYE/FACE WASH UNIT

### INTERNAL CONSTRUCTION (WITH COVERS AND DRAINPAN REMOVED)



UNITS (EXCEPT THOSE WITH SELF-CLOSING VALVES) COMPLY WITH THE REQUIREMENTS OF ANSI Z358.1. TEST ALL EMERGENCY EQUIPMENT AT LEAST WEEKLY.

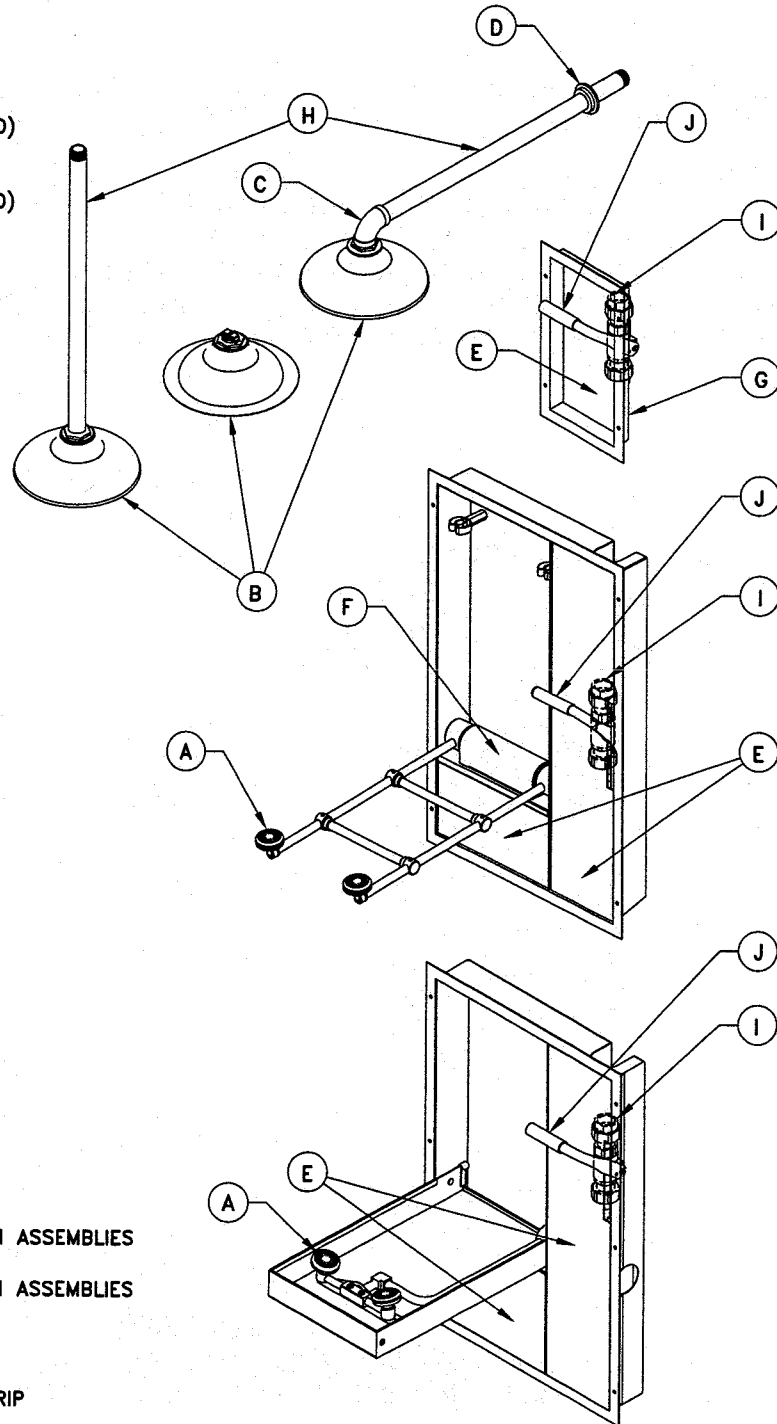
Drawing Number: G504-502

Approved: CW

Revision Number: 071906-EJM

## PARTS LISTING RECESSED UNITS

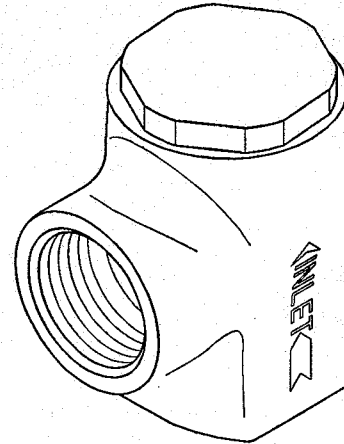
- (A) FS PLUS SPRAY HEAD  
AP470-021LDC
- (B) SHOWER HEADS
  - STAINLESS STEEL
  - AP450-062 (10" DIA. - RECESSED FLANGED)
  - AP450-048 (10" DIA. - EXPOSED)
  - CHROME PLATED BRASS
  - AP450-020 (10" DIA. - RECESSED FLANGED)
  - AP450-016 (8" DIA. - EXPOSED)
  - PLASTIC (EXPOSED ONLY)
  - AP450-032ORG (ORANGE)
  - AP450-032GRN (GREEN)
  - AP450-032YEL (YELLOW)
- (C) SHOWER HEAD ELBOWS
  - STAINLESS STEEL
  - 320-08SE; 1" IPS STREET ELBOW
  - CHROME PLATED BRASS
  - 310-08SE; 1" IPS STREET ELBOW
  - PLASTIC
  - 330-12-08RSE-OR (ORANGE)
  - 330-12-08RSE-GR (GREEN)
  - 330-12-08RSE-YE (YELLOW)
- (D) ESCUTCHEON
  - AP150-082B (STAINLESS STEEL)
  - AP150-082 (CHROME)
- (E) ACCESS PANELS
  - SHOWER VALVE
  - 200-038A (GBF2100 & GBF2150 SERIES)
  - 200-055 (G1670 SERIES)
  - 200-039A (GBF1735DP)
  - EYE WASH VALVE AND DRAIN
  - 200-034A (GBF2150 SERIES & GBF1735DP)
  - 200-004A (GBF2100 & GBF1735 SERIES)
- (F) COVER BOX
  - 200-002A-1 (GBF2100 & GBF1735 SERIES)
- (G) HOUSING
  - 200-053 (G1670 SERIES)
- (H) SUPPLY NIPPLES
  - STAINLESS STEEL
  - 520-08-37: 1" IPS X 37"
  - 520-08-21: 1" IPS X 21"
  - CHROME PLATED BRASS
  - 510-08-37: 1" IPS X 37"
  - 510-08-21: 1" IPS X 21"
- (I) SHOWER VALVE ASSEMBLY, BRASS
  - AP600-350; VALVE, HANDLE WITH (2) UNION ASSEMBLIES  
(GBF2100 & G1670 SERIES)
  - AP600-355; VALVE, HANDLE WITH (2) UNION ASSEMBLIES  
(GBF2150 SERIES)
  - AP250-054; UNION ASSEMBLY (2 REQ'D)
- (J) SHOWER VALVE HANDLE
  - 050-111; STAINLESS STEEL HANDLE WITH GRIP
  - 050-112; FOAM GRIP



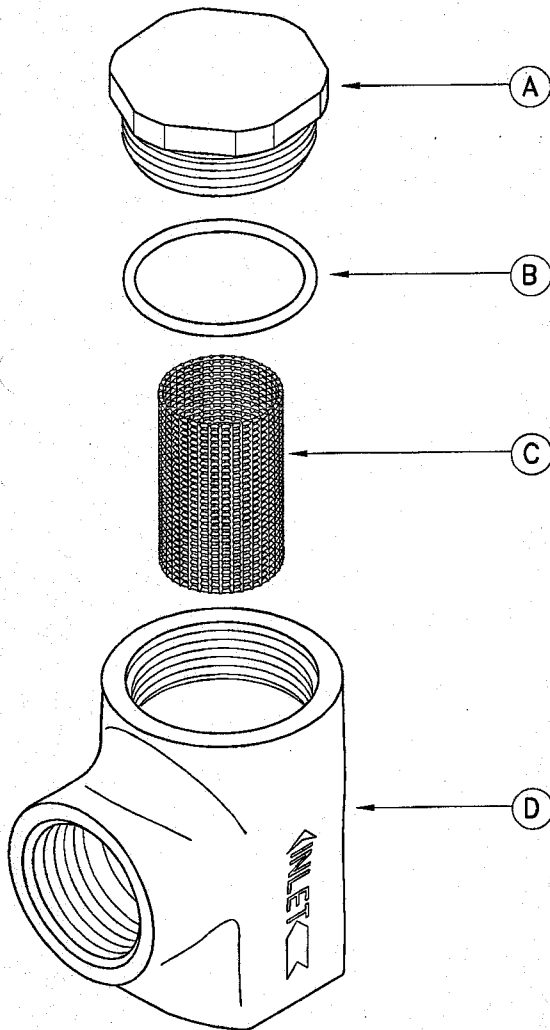
## ASSEMBLY & CLEANING INSTRUCTIONS FOR IN-LINE STRAINER ASSEMBLY

### TO PERFORM WEEKLY CLEANING OF THE STRAINER:

1. UNSCREW THE STRAINER BONNET (A).
2. INSPECT THE O-RING (B) FOR DAMAGE. REPLACE IF NEEDED.
3. REMOVE CYLINDRICAL SCREEN (C) AND RINSE UNDER CLEAN WATER. GENTLY RUB THE SCREEN UNTIL ALL DEBRIS HAS BEEN REMOVED.
4. CAREFULLY REINSERT SCREEN INTO THE COUNTERBORE WITHIN THE STRAINER BODY (SHOULD FIT SNUGLY).
5. REPLACE STRAINER BONNET AND TEST FOR PROPER OPERATION OF STRAINER AND EYE WASH.



AP400-013  
IN-LINE STRAINER



(A)	600-245	STRAINER BONNET
(B)	600-244	BONNET O-RING
(C)	400-013-2	30 MESH CYLINDRICAL SCREEN
(D)	400-013-1	STRAINER BODY

### **IMPORTANT**

ALL EMERGENCY EQUIPMENT MUST BE INSPECTED AND TESTED AT LEAST WEEKLY TO ENSURE PROPER OPERATION. ON UNITS EQUIPPED WITH AN IN-LINE STRAINER, WEEKLY INSPECTION SHOULD ALSO INCLUDE CHECKING THE STRAINER FOR ACCUMULATION OF DEBRIS OR FOREIGN MATTER. SUCH DEBRIS CAN IMPAIR THE FLOW OF WATER THROUGH THE STRAINER AND PREVENT THE EYE WASH FROM FUNCTIONING PROPERLY.

## PARTS LISTING EMERGENCY SHOWER

### (A) ELBOWS

- PLASTIC
  - 330-12-08RSE-OR (ORANGE)
  - 330-12-08RSE-GR (GREEN)
  - 330-12-08RSE-YE (YELLOW)
- GALVANIZED
  - 300-08SE; 1" IPS STREET ELBOW
- STAINLESS STEEL
  - 320-08SE; 1" IPS STREET ELBOW

### (B) SHOWER HEADS

- PLASTIC
  - AP450-032ORG (ORANGE)
  - AP450-032GRN (GREEN)
  - AP450-032YEL (YELLOW)
- STAINLESS STEEL
  - AP450-048 (10" DIA.)
  - AP450-062 (10" DIA. RECESSED FLANGED)
- CHROME PLATED BRASS
  - AP450-016 (8" DIA.)
  - AP450-020 (10" DIA. RECESSED FLANGED)

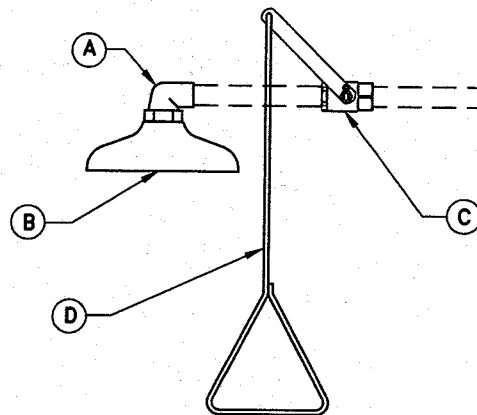
### (C) VALVE/ARM ASSEMBLIES

- CHROME PLATED BRASS VALVE/STAINLESS STEEL ARM
  - AP600-335H/335V (STAY-OPEN, SINGLE ACTIVATION)
  - AP600-345H/345V (SELF-CLOSING)
  - AP600-340H/340V (STAY-OPEN, DUAL ACTIVATION)
  - AP600-215 (SLOW, SELF-CLOSING)
  - RK600-300 (REPAIR KIT FOR AP600-215)

### (D) ACTUATING COMPONENTS

- AP050-079 (29" STAINLESS STEEL PULL ROD)
- AP050-080 (43" STAINLESS STEEL PULL ROD)
- AP050-081 (EXTENDED LENGTH STAINLESS STEEL PULL ROD)
- AP050-013 (36" SASH CHAIN W/8" DIA. RING)
- AP050-028 (DUAL ON/OFF SASH CHAIN)
- AP050-016 (102" SASH CHAIN FOR WALL)
- AP050-025 (CHROME PLATED CEILING FERRULE)
- 050-049 (STAINLESS STEEL GUIDE PLATE)

HORIZONTAL SHOWERS



VERTICAL SHOWERS

